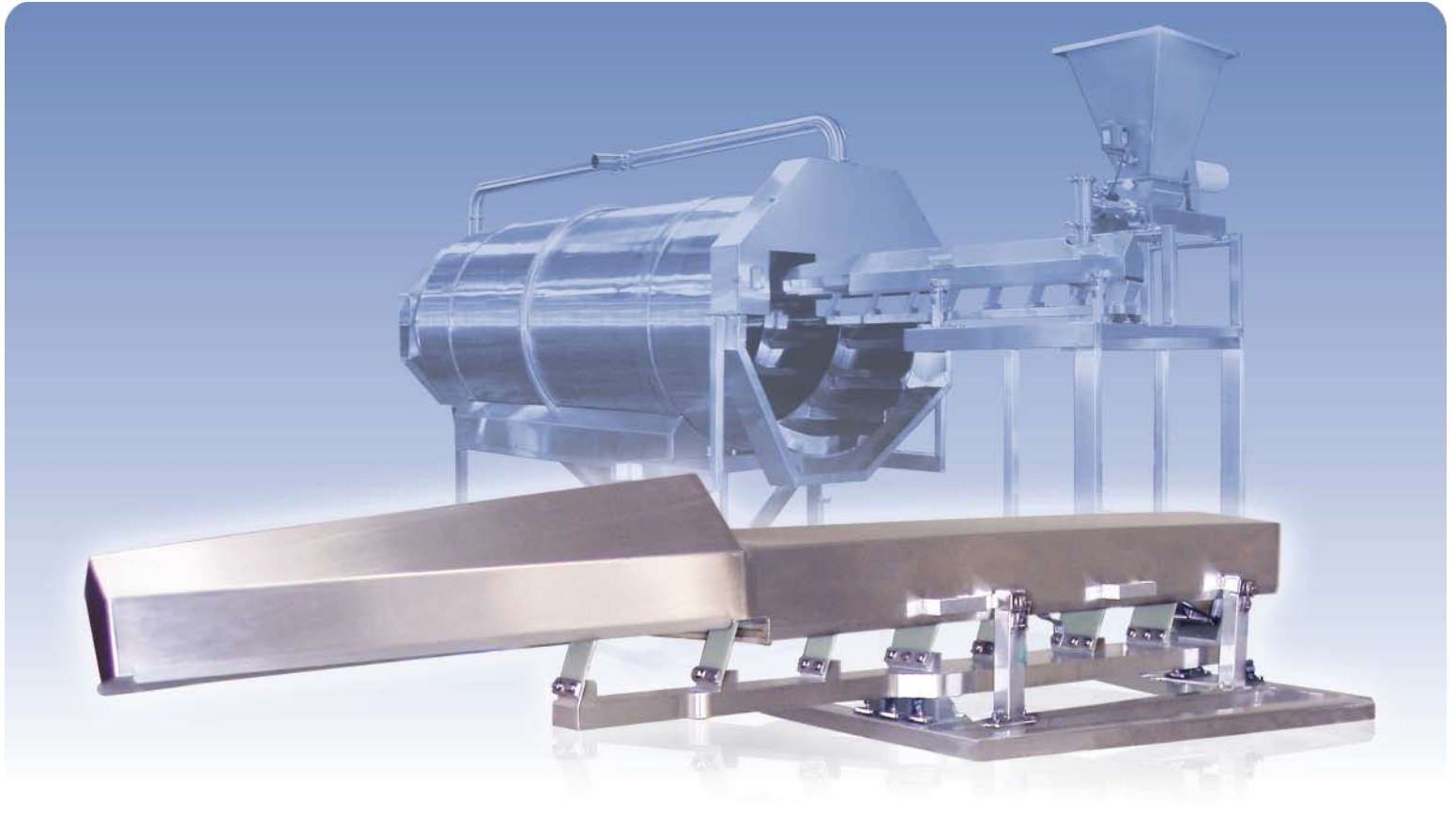


# Scarf Plate Distributor



## Add simplicity to dry ingredient application

Spray Dynamics is a leader in providing the food industry with solutions for application of dry ingredients and other small particulates. The Scarf Plate Distributor optimizes product coverage by providing an expanded, controlled curtain of particulates, either inside a coating drum or across a conveyor or belt. Used in conjunction with our robust Uni-Spense™ feeders, the Scarf Plate provides even distribution of dry ingredients, nuts, seeds and many other small particulates.

The combination of Spray Dynamics Uni-Spense™ and Scarf Plate can be mounted on a variety of stands designed to fit around most exit conveyors with positive, tools-free locking mechanisms to ensure that the scarf remains in the same position day after day.

Four standard sizes of bias cuts are available – 18"/46cm; 24"/60cm; 37"/95cm; 48"/120cm

### Standard Features

- Mirror polished finish on inside of scarf pan
- Electromagnetic drive, housed in stainless steel
- 304 stainless steel construction

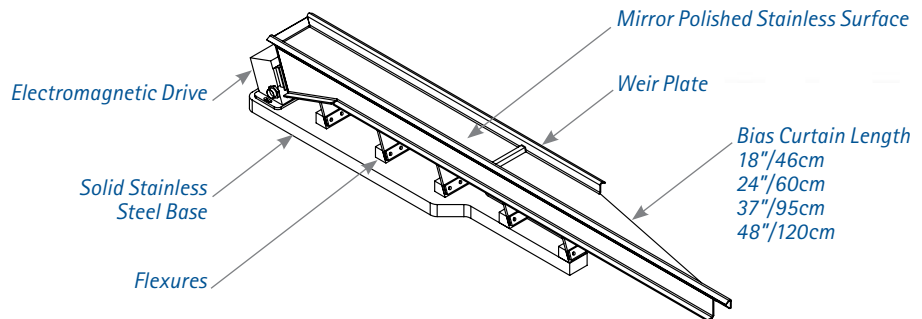
### Options

- Tools-free hinged cover (shown above)
- Portable stand

# Scarf Plate Distributor

*Hinged cover (optional) prevents product falling onto the scarf plate inside the drum.*

*Optional stands are designed to fit around existing exit conveyors. Positive, tools-free locking mechanisms ensure correct positioning of scarf.*



## Utilities

- 5 amps at 230V, 3ph, 60Hz

*Constant improvement and engineering innovations mean these specifications may change without notice.*



Heat and Control, Inc. 800 227 5980 [www.heatandcontrol.com](http://www.heatandcontrol.com)  
21121 Cabot Blvd., Hayward, CA 94545

Spray Dynamics 636 629 7366 [www.spraydynamics.com](http://www.spraydynamics.com)  
108 Bolte Lane, St. Clair, MO 63077

©2012 Heat and Control, Inc.