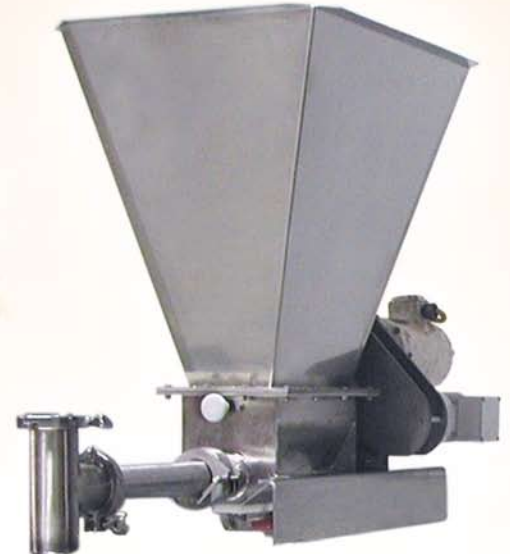


Uni-Spense® Dry Ingredient Distributor



Standard Uni-Spense I



High Volume Uni-Spense III

Precisely distribute powders, granules and other products inside a coating drum, a blender, or over a conveyor belt.

Uni-Spense can feed or distribute a variety of dry powders, granules, chopped, and shredded products. Its positive displacement auger and unique adjustable teardrop openings deliver a consistent metered supply of product.

"Tools-free" design greatly simplifies operation and changeover.

Uni-Spense I features a 1.25" / 3.18cm seasoning feeder opening. Uni-Spense III uses a 2" / 5.08cm feeder for high-volume production.

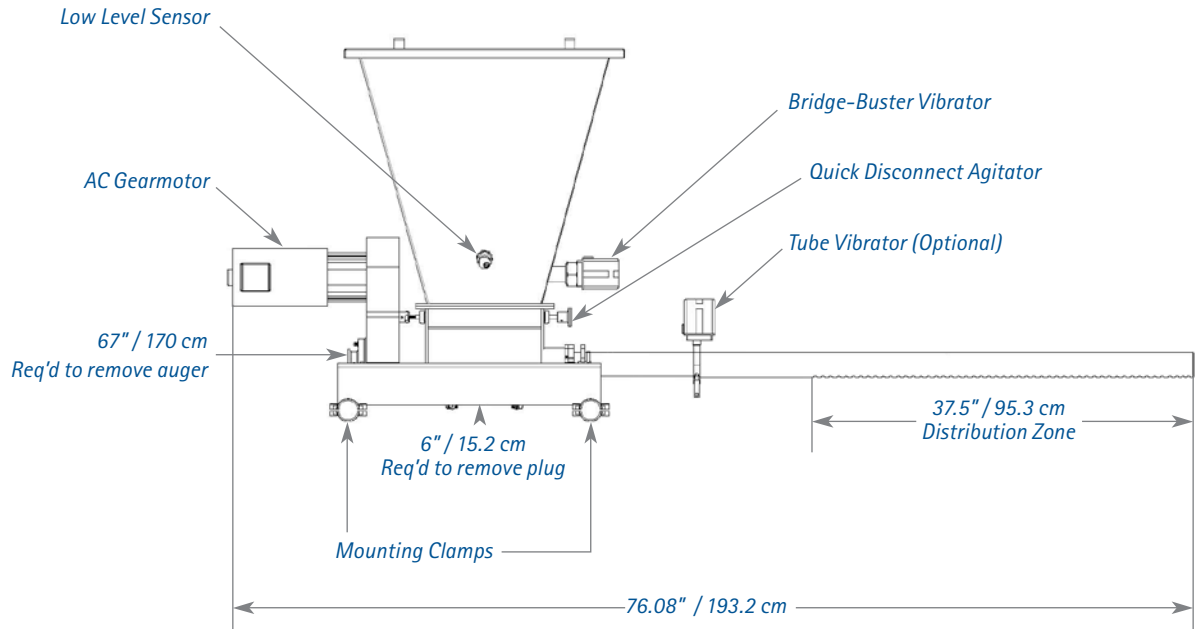
Standard Features

- 304 stainless steel construction with Delrin auger
- "Tools-free" product changeovers
- NEMA 4 stainless steel control console with variable speed adjuster and digital readout
- Bridge-Buster™ supply hopper with 1.5 cubic feet / .04 cubic meters capacity and adjustable cycle vibrator

Options

- Powder Xpress™ material transfer system
- Enhancer™ electrostatic spice/powder applicator
- Delta Dry™ loss-in-weight system
- Custom length distribution tubes
- Solid core or open helix stainless steel auger
- Tube vibrator
- Deflector plate
- Portable stainless steel support stand with casters
- 4-20 mA or 0-10 volt DC input signal control

Uni-Spense® Dry Ingredient Distributor



	Uni-Spense I	Uni-Spense III
Hopper Capacity	1.5 cu. ft / 0.4 cu.meters	2.5 cu. ft / 0.07 cu.meters
Auger Diameter	1.25" / 3.18 cm	2" / 5.08 cm

Constant improvement and engineering innovations mean these specifications may change without notice.



Precisely adjust seasoning delivery with our simple Uni-Spense worm gear control.



Heat and Control, Inc. 800 227 5980 www.heatandcontrol.com
21121 Cabot Blvd., Hayward, CA 94545

Spray Dynamics 636 629 7366 www.spraydynamics.com
108 Bolte Lane, St. Clair, MO 63077

©2012 Heat and Control, Inc.